

**BOARD OF EDUCATION OF HARFORD COUNTY**

**INFORMATIONAL REPORT**

**DECISION ON SCHOOL/ORGANIZATION SPONSORED PROJECT  
PATTERSON MILL MIDDLE/HIGH SCHOOL  
INSTALLATION OF SUSPENDED BATTING CAGE**

**November 23, 2009**

Background Information:

In 2007-08, the new Patterson Mill MS/HS was constructed and occupied. In accordance with standard practice, the scope of the project did not include the installation of a suspended batting cage. When desired, this requirement becomes the responsibility of the local school community and is coordinated under the HCPS School/Organization Sponsored Project process. It is through this process that a request is being forwarded to allow for the procurement and installation of a suspended batting cage by the Patterson Mill Athletic Boosters organization.

Discussion:

The Patterson Mill Athletic Boosters organization is seeking approval to procure and install a suspended batting cage at Patterson Mill Middle/High School. This project will benefit the students, the athletes who participate in the interscholastic athletic programs at Patterson Mill, and the community members who participate in the Emmorton Recreation Council programs. The batting cage is needed for indoor practices during inclement weather.

The project proposes the installation of a custom batting cage, 11' wide x 10' high x 56' long, to be located in the main gymnasium of the school. The equipment will be purchased from TJ Distributors, Inc., a reputable distributor who has installed various types of equipment in many HCPS schools. Funds for the batting cage are being provided from various fundraisers held by the Patterson Mill Boosters organization and a contribution from the Emmorton Rec Council.

Installation of the equipment will be performed by TJ Distributors, Inc. and managed by Matt Roseland, Head Baseball Coach at Patterson Mill Middle/High School, and a Boosters' representative. Observation and inspection will be performed by the HCPS Facilities Management Department and the Harford County Government's Department of Inspections, Licenses and Permits to ensure compliance with codes and standards. The estimated cost for this project is \$10,350.

All of the necessary documentation has been submitted, reviewed, and approved by the appropriate school system staff, with comments through the Assistant Superintendent for Operations, as required by school system procedures.

Superintendent's Recommendation:

The Superintendent of Schools recommends that the Board of Education approve the request by the Patterson Mill Middle/High School Athletic Boosters organization to procure and install an indoor batting cage at the school.

**REQUEST FOR APPROVAL**  
**PROPOSED SCHOOL/ORGANIZATION SPONSORED**  
**PROJECT**

- (1) **SCHOOL/FACILITY:** Patterson Mill Middle School
- (2) **ADDRESS:** 85 Patterson Mill Road, Bel Air Maryland 21015
- (3) **SPONSOR(S):** Matt Roseland Head Baseball Coach  
Jessica Smith Athletic Director
- (4) **SPONSOR CONTACT:** Matt Roseland/Jessica Smith
- (5) **ADDRESS:** 85 Patterson Mill Road, Bel Air Maryland 21015
- (6) **SPONSOR TELEPHONE:** 410 638 4640 FAX: 410-638-4646

7 – Project Description -- See Attached

8 – TJ Distributors – See Attached

**TJ Distributors, Inc.**

Jason Dinan  
2220 Commerce Road, Unit 5  
Forest Hill, MD 21050  
410-638-6358 - phone  
410-638-6359 - fax  
[jason@tjdistributors.com](mailto:jason@tjdistributors.com)

9 – Contact People from School Buidling

Mr. Wayne Thibeult - Principal  
Ms. Jessica Smith - Athletic Director  
Mr. Matt Roseland - Head Baseball Coach  
Mr. George Harciak - Head Softball Coach

10 – Estimate of Cost - \$10,350.00 - See Attachment

11 – Funding Source

Ms. Jessica Smith - Athletic Director Budget  
Mr. Rob Keesling - Head of Athletic Boosters  
Mr. Perry Gentry - Emmorton Recreation Baseball  
Mr. Matt Roseland - Patterson Mill Baseball Fund Raising

12 – Funding

Through the community and parents – the funding has been approved for this project

13 – The batting cage can be supported by the Middle School Gymnasium Ceiling. Through a

remote system, the cage can be lowered to the ground. The cage can remain up year round.

14 – No additional equipment or materials needed

15 - No additional maintenance needed

16 – Staffing – none needed

17 – Utilities – none needed

18 – No monthly, quarterly, yearly charges

19 – Permits Required – None

20 – Environmental Impact – None

21 – None

22 – Community Impact – Emmorton Rec could use the facility for indoor tryouts in the winter time. An indoor batting facility is vital for teams to improve their skills during the winter time.

23 – Endorsements – Thank you for your time.



To: Matt Roseland  
Patterson Mill High School

Date: 1/23/09  
From: Jason Dinan

Re: Batting Cage Proposal

---

We are pleased to offer you pricing for the delivery and installation of the following:

**Option #1 – Ceiling Suspended Batting Cage** **PRICE = \$9,100.00**

- (1) Performance Sports Systems #4080 standard multi-sport cage:
- Custom cage size is 11' wide x 10' high x 56' long
  - Operated by one horsepower electric winch with wireless operation
  - Netting can be 3/4" black square mesh
  - All pipes/structure will be factory painted black
  - All power supply and final connection of equipment

**Option #2 – Ceiling Suspended Batting Cage** **PRICE = \$10,350.00**

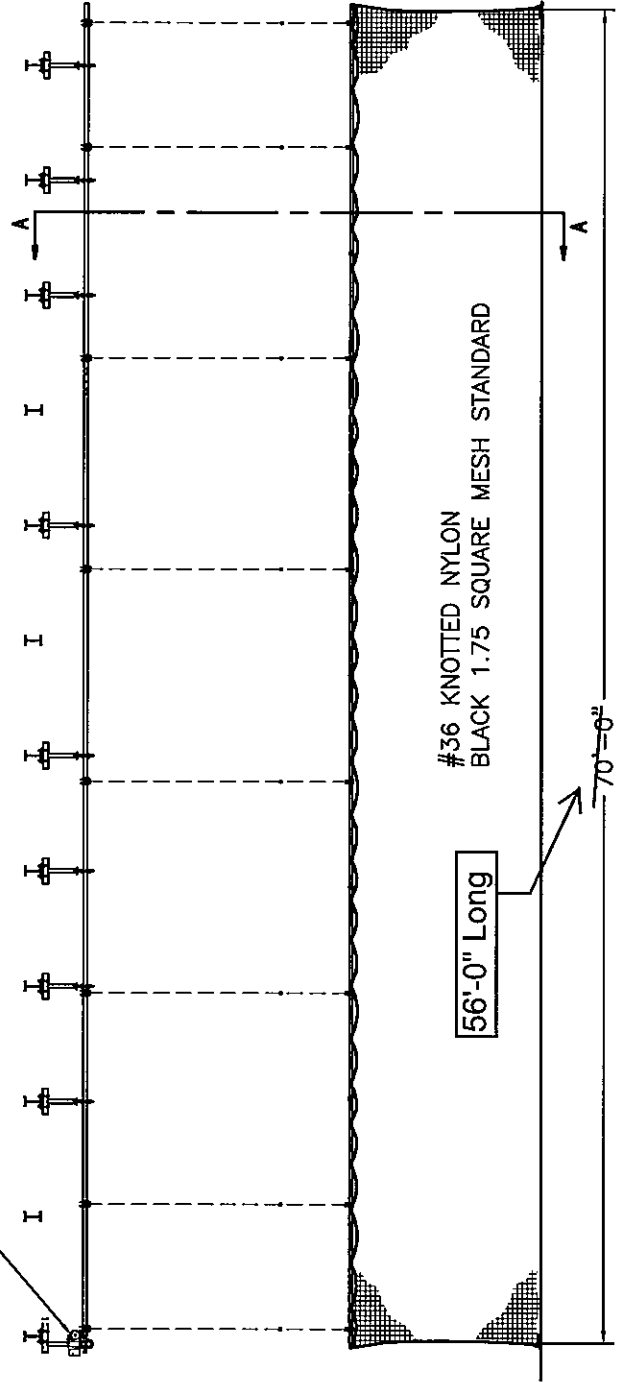
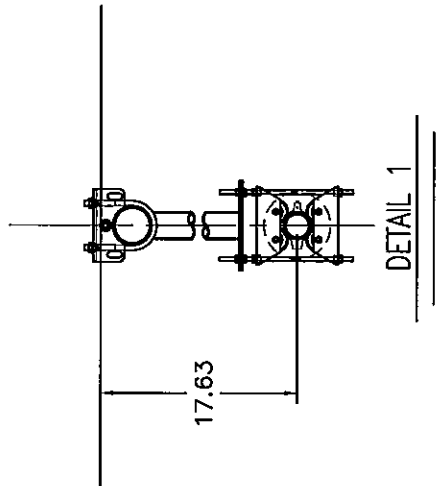
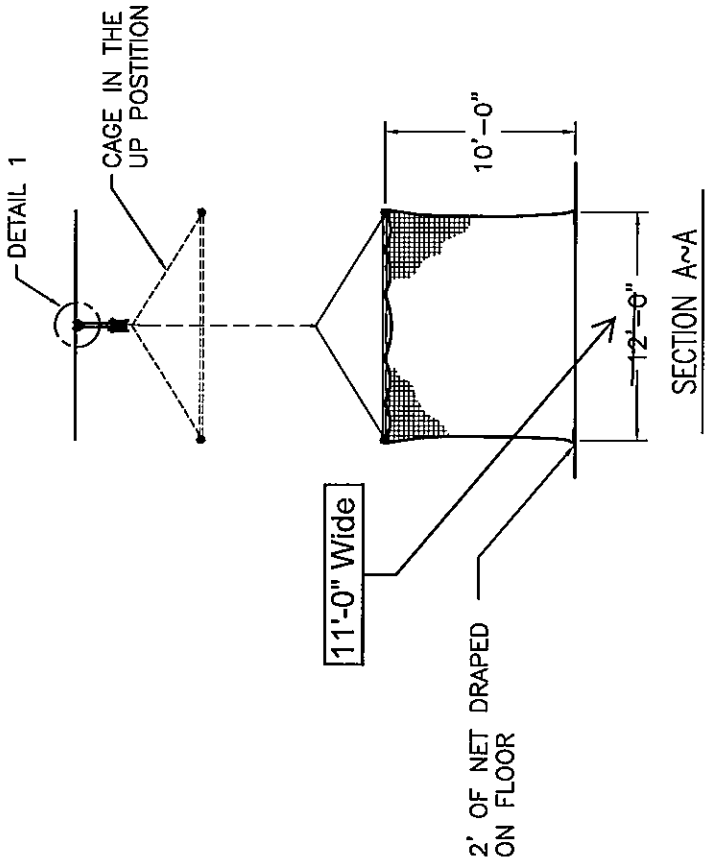
- (1) Performance Sports Systems #4080 non-standard multi-sport cage:
- Custom cage size is 11' wide x 10' high x 56' long
  - Operated by one horsepower electric winch with wireless operation
  - Netting can be 3/4" black square mesh
  - All pipes/structure will be factory painted black
  - All power supply and final connection of equipment

**NOTES:**

- 1) Prices include material, freight and installation
- 2) Quote valid for 60 days
- 3) Lead time approximately 4-5 weeks

2220 Commerce Road, Unit 5 - Forest Hill, MD 21050-2560  
Phone: 410-638-6358 Fax: 410-638-6359  
jason@tjdistributors.com

MOTOR DATA:  
 1 HP, 120 VOLT, SINGLE PHASE  
 WITH KEY SWITCH & RECEPTACLE



REVISION		
REV.	DATE	BY
A	5/13/03	JJC
B	12/17/03	MJB
C	05/14/04	JJC
D	05/25/05	ATS

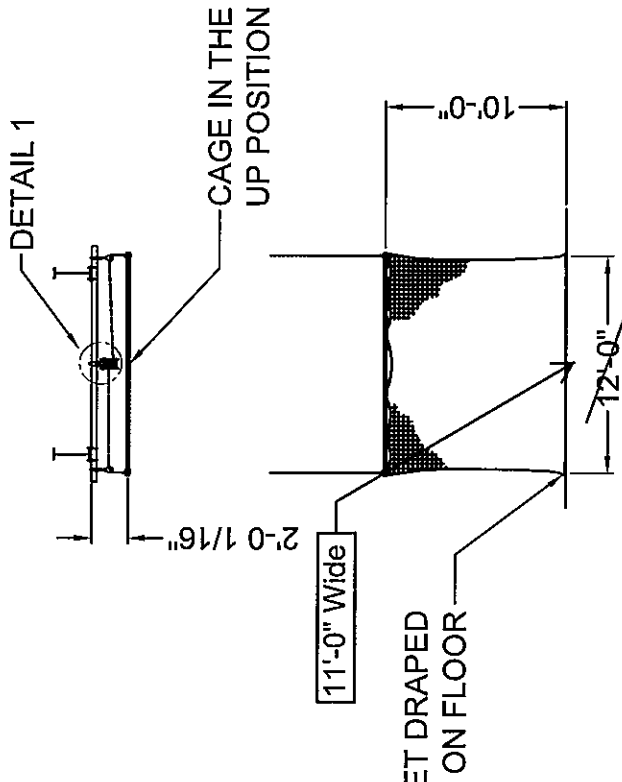
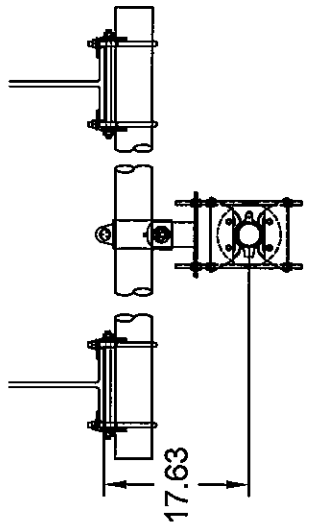


THIS DOCUMENT CONTAINS TRADE SECRET AND OTHER MATERIALS WHICH ARE PROTECTED BY CONFIDENTIALITY NOTICE AND AGREEMENT AND BY COPYRIGHT. ANY USE OR COPYING OF THIS DOCUMENT EXCEPT AS AUTHORIZED BY PERFORMANCE SPORTS SYSTEMS, INC. IS STRICTLY PROHIBITED.

TITLE: MULTI-SPORT CAGE

DRAWN CONNERLEY	DATE 5/09/03	MODEL 4080		
APPROVED JJC	DATE 5/09/03			
FILE LOC. M:\SPECIFICATIONS\GYM EQUIPMENT				
SIZE A	SCALE NONE	SHT. NO. 1 OF 1	DWG. NO. 4080	REV D

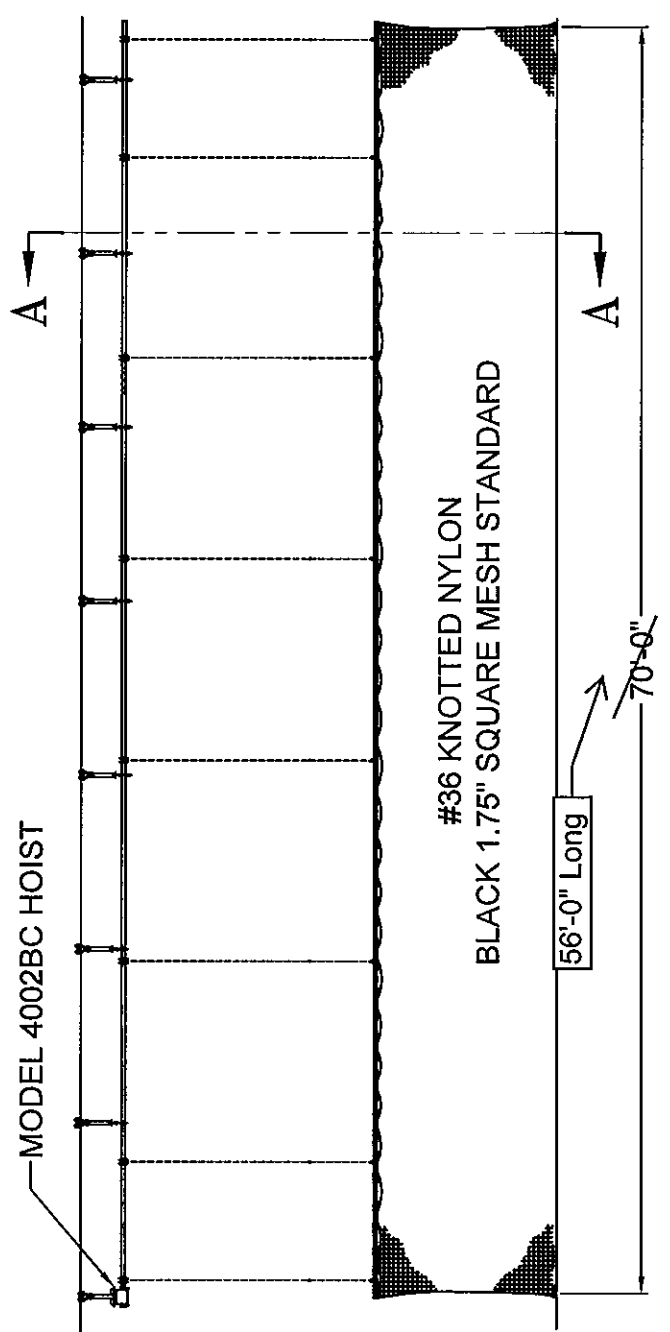
**4002BC MOTOR DATA:**  
 1 HP, 120 VOLT, SINGLE PHASE  
 WITH KEY SWITCH AND  
 RECEPTACLE



11'-0" Wide  
 2' OF NET DRAPED  
 ON FLOOR

SECTION A-A

DETAIL 1



MODEL 4002BC HOIST

#36 KNOTTED NYLON  
 BLACK 1.75" SQUARE MESH STANDARD

56'-0" Long

70'-0"

REVISION		
REV.	DATE	BY
A	05/13/03	JJC
B	12/17/03	MJB
C	05/14/04	JJC
D	05/25/05	ATS
E	10/27/06	ATS
F	12/20/06	WAE



THIS DOCUMENT CONTAINS TRADE SECRET AND OTHER MATERIALS WHICH ARE PROTECTED BY CONFIDENTIALITY NOTICE AND AGREEMENT AND BY COPYRIGHT. ANY USE OR COPYING OF THIS DOCUMENT EXCEPT AS AUTHORIZED BY PERFORMANCE SPORTS SYSTEMS IS STRICTLY PROHIBITED.

MULTI-SPORT CAGE				
DRAWN CONNERLEY	DATE 05/09/03	MATERIAL N/A		
APPROVED JJC	DATE 05/09/03	FINISH N/A		
FILE LOC. Q:\Final Release\Specifications	DWG. NO. 4080			
SIZE A	SCALE NONE	SHT. NO. 1 OF 1	PART NO. 4080	REV F

# LETTER FORMAT

Date 2/06/08

Re: *Batting cage*

Dear *Mrs. Licata,*

The school system and students have benefited greatly from projects that have been sponsored and funded by various organizations in Harford County. In times when funding is limited, assistance from other sources allows us to provide much needed resources and facilities that otherwise would not be available.

Assurances must be provided to ensure that the various proposed projects will provide long term benefits to the students and the school system. As a result, it is necessary that we coordinate these efforts to provide a clear understanding of the scope of such projects, and their potential impact on the school system. To assist us in these efforts, the attached document has been developed to provide specific information about the proposal. For each proposed project, the information requested on the attached document should be provided in detail. Once this document has been completed and forwarded to the appropriate department, it will be reviewed and presented to the Superintendent and Board of Education for consideration. The Superintendent or designee will advise you regarding the feasibility of the proposed project.

Thank you for your generous offer of assistance to the Harford County Public Schools. We look forward to working with you in this endeavor.

Sincerely,

*Wayne D. Thibeault*  
Principal

PC Mrs. Jacqueline C. Haas

Date: February 15<sup>th</sup>, 2008

Re:

Dear Members of the Board of Education,

We would like to propose the installation of an indoor batting cage in the main gymnasium of Patterson Mill Middle/High School. The batting cage would benefit the student athletes that participate in the interscholastic athletic programs of baseball and softball at Patterson Mill High School. At present, this consists of about forty young men and women. In the future as the programs increase in size these numbers should double. The cages are needed for indoor practices due to inclement weather. It is important to be able to see an athlete hit in order to make an accurate assessment of their skills. It is not fair to the student athlete to make cuts without observing this facet of their ability. Since Spring weather is generally unpredictable, especially early in the season, this batting cage will be used as an integral tool for the coaches in the formation of their teams.

The batting cages can also be used by Emmorton Parks and Recreation for their practices. These young athletes run into the same problem as their high school counter-parts. Allowing them use of an indoor facility will only improve their abilities. The batting cage not only benefits the players, but also builds a relationship between Patterson Mill and the community at large.

Sincerely,

Wayne D. Thibeault  
Principal

PC Mrs. Jacqueline C. Haas